

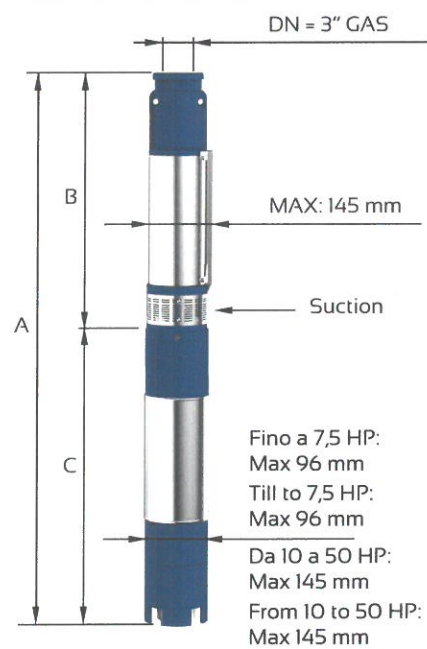
# 6" 140 PR24 140 PRX24

tolleranza alla sabbia 400 g/m<sup>3</sup> - sand tolerance 400 g/m<sup>3</sup>



Caratteristiche idrauliche/Hydraulic performances

Motore - Motor - Moteur 50 Hz - 2900 rpm				Q = Portata - Capacity - Debit						
Tipo - Type	Power		V 400	l/min	0	200	300	400	500	600
	kW	HP	A	l/sec	0	3,33	5	6,67	8,33	10
				m <sup>3</sup> /h	0	12	18	24	30	36
140 PR24 N/04	3	4	6,7	H[m]	54	47	43	35	24	11
140 PR24 N/05	4	5,5	10		68	59	54	44	30	14
140 PR24 N/07	5,50	7,5	12,5		95	82	75	61	41	20
140 PR24 N/09	7,50	10	17,5		122	105	96	78	53	26
140 PR24 N/11	9,20	12,5	21		149	129	118	96	65	31
140 PR24 N/13	11	15	24,5		176	152	139	113	77	37
140 PR24 N/16	13	17,5	28		217	187	171	139	95	46
140 PR24 N/18	15	20	32		244	211	193	157	107	51
140 PR24 N/22	18,50	25	40		299	257	236	192	130	63
140 PR24 N/26	22	30	47,5		353	304	278	226	154	74
140 PR24 N/31	26	35	55		421	363	332	270	184	88
140 PR24 N/36	30	40	62,5		489	421	386	314	213	103



Motore - Motor - Moteur 50 Hz - 2900 rpm		Dimensioni di ingombro e pesi Overall dimensions and weights				
Tipo - Type	A mm Tri	B mm	C mm Tri	M kg Tri	P kg	
140 PR24 N/04	1102	545	557	19	14	
140 PR24 N/05	1187	590	597	22	16	
140 PR24 N/07	1378	680	698	27	17	
140 PR24 N/09	1588	770	818	32	18	
140 PR24 N/11	1611	860	751	60	21	
140 PR24 N/13	1761	950	811	65	23	
140 PR24 N/16	1926	1085	841	70	26	
140 PR24 N/18	2106	1175	931	75	28	
140 PR24 N/22	2346	1355	991	83	31	
140 PR24 N/26	2606	1535	1071	92	35	
140 PR24 N/31	2941	1760	1181	100	39	
140 PR24 N/36	3236	1985	1251	108	45	

Versioni disponibili  
Available versions  
Versions disponibles  
Versiones disponibles



**140 PRX**  
Gabbia di aspirazione e mandata  
(con piattello) in AISI 304 microfuso  
Suction cage and delivery bowl  
(with cap valve) in AISI 304 casted

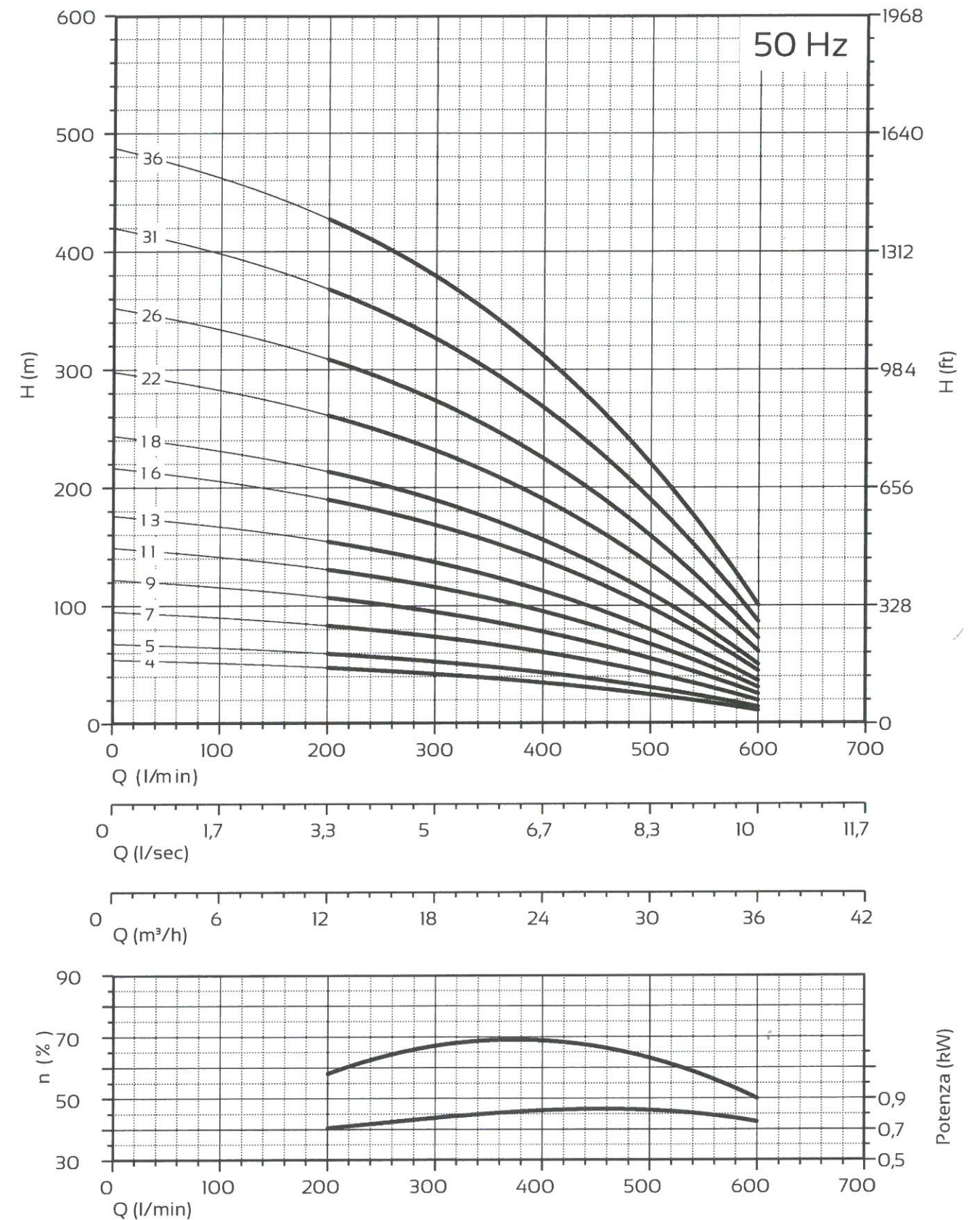
n% = Rendimento della pompa kW/st = Assorbimento per stadio	Max 69,5% Max 0,83	n% = Pump efficiency kW/st = Stage absorption	Max 69,5% Max 0,83
n% = Rendement de la pompe kW/st = Absorption par étage	Max 69,5% Max 0,83	n% = Rendimiento de la bomba kW/st = Potencia absorbida por etapa	Max 69,5% Max 0,83

MEI ≥ 0,4 (direttiva EU No. 547/2012 - regulation EU N. 547/2012)  
Tolleranze secondo UNI ISO 9906 livello 3B - Tolerances according to UNI ISO 9906 grade 3B

tolleranza alla sabbia 400 g/m<sup>3</sup> - sand tolerance 400 g/m<sup>3</sup>



# 6" 140 PR24 140 PRX24



NPSH (m)	25%	50%	75%	100%
140 PR 24 - 140 PRX 24	3	3	4,5	6,6