



EBARA

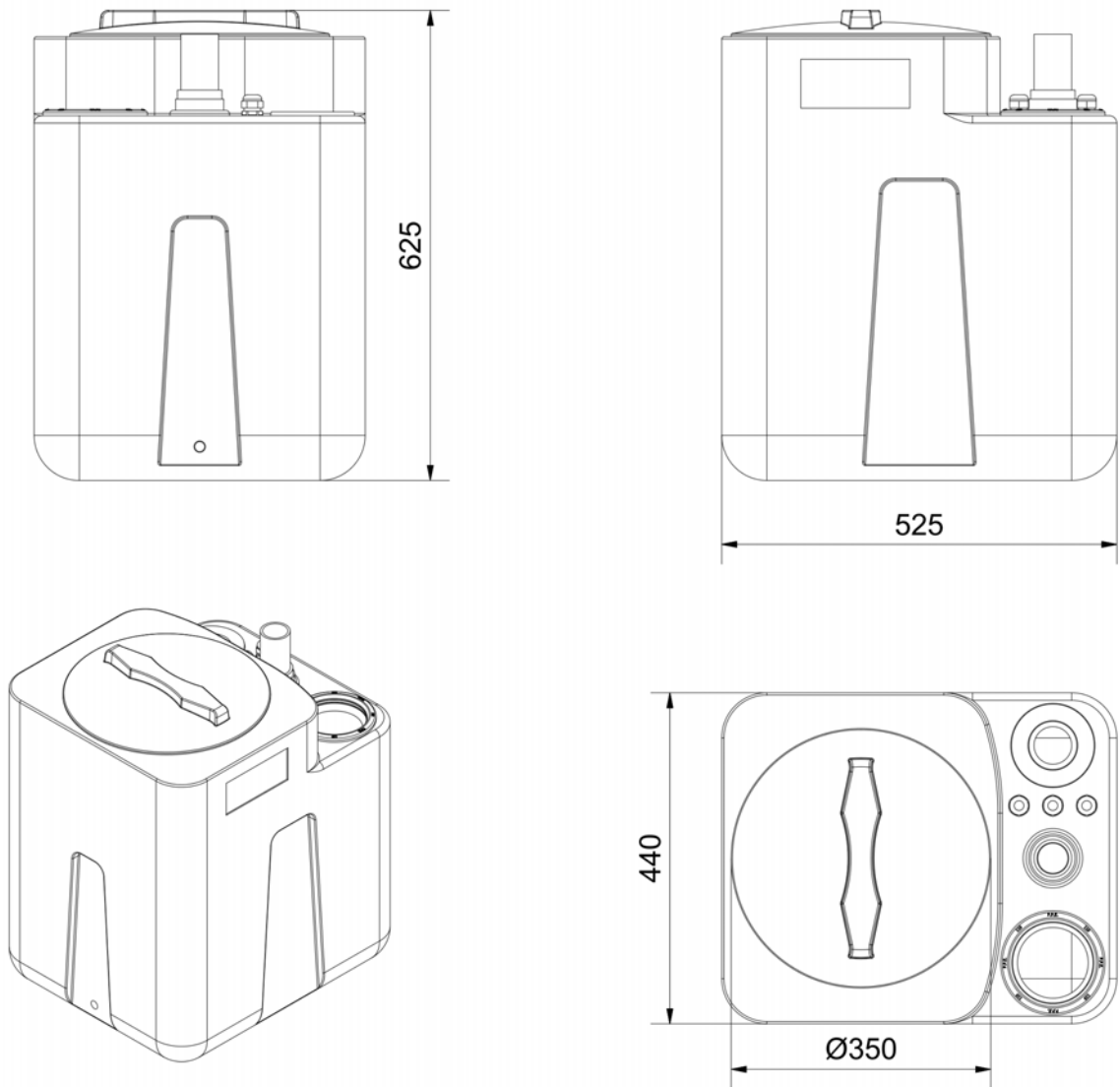
	Page
- SPECIFICATIONS	200
- DIMENSIONS AND WEIGHT	300
D – TANK 100	300
D – TANK 200	301
D – TANK 600	302
- SPARE KIT	400
SPARE KIT 100	400
SPARE KIT 200	401
SPARE KIT 600	402
- ACCESSORY	400
PLATE 600E	401

SPECIFICATION

rev.B

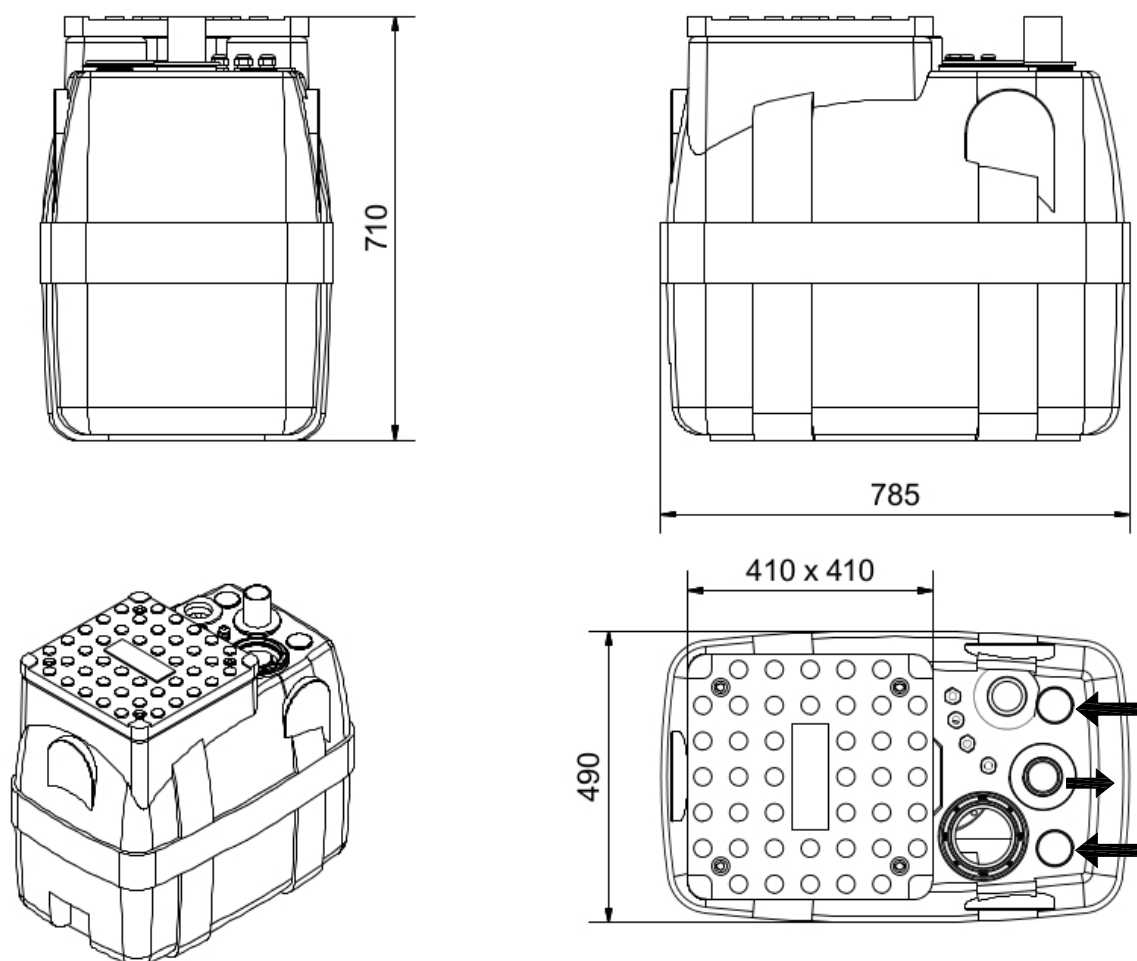
MODEL		D-TANK 100	D-TANK 200	D-TANK 600
Liquid Handled	Type of liquid	Water for domestic use		
	Max temperature [°C]	60		
Tank capacity	[l]	100	200	600
Pipe Connection	Inlet	DN 110		
	Outlet	DN50	DN63	
Material	Casing Gaskets Piping	Polyethylene EPDM (cover), NBR PVC		
Kit included	D-TANK	Bend, Pipes in bag (double in D-TANK 600)		
	D-TANK E (equipped)	Coupling foot (1,5"-2" GAS)–Bend–Pipes(double in D-TANK 600)		
Number of pumps that can be installed		1	2	
Standard compliance		UNI-EN 12050 - 2		
Note		D-TANK 200 (E) / D-TANK 600 (E) LOAD UP TO 40kgf		

D – TANK 100 / 100 E



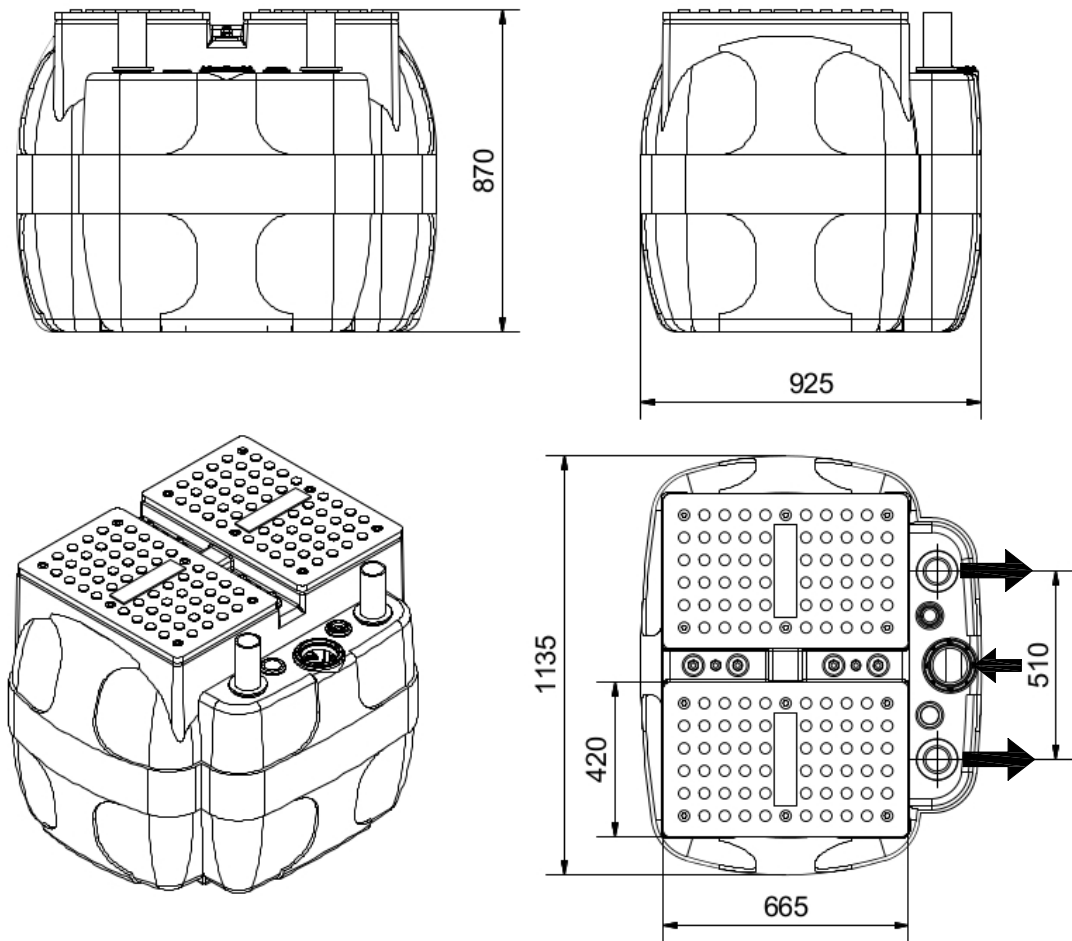
Type	Weight [kg]
D – TANK 100	9,2
D – TANK 100 E	9,5

D – TANK 200 / 200 E



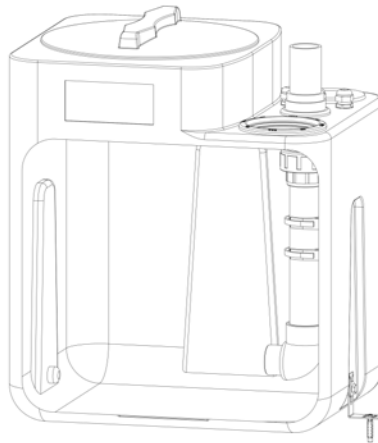
Type	Weight [kg]
D – TANK 200	13
D – TANK 200 E	23

D – TANK 600 / 600 E

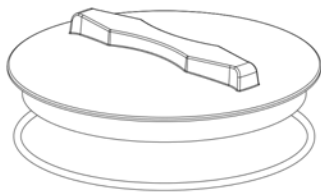


Type	Weight [kg]
D – TANK 600	33
D – TANK 600 E	53

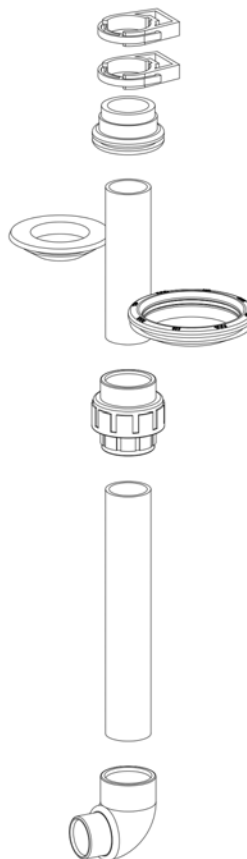
SPARE KIT 100



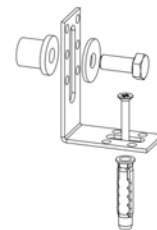
COVER SPARE KIT
100



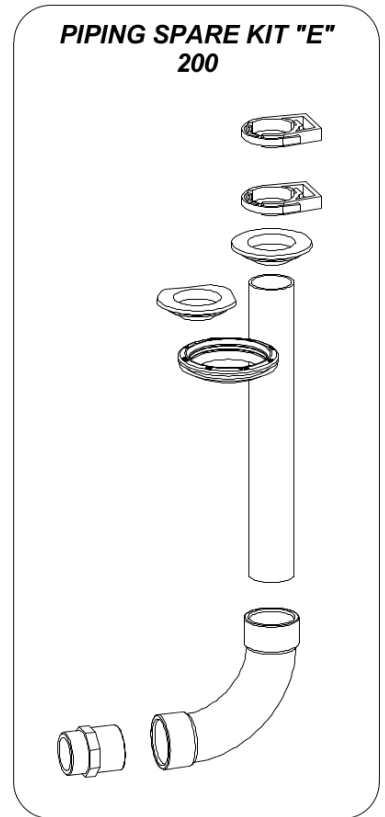
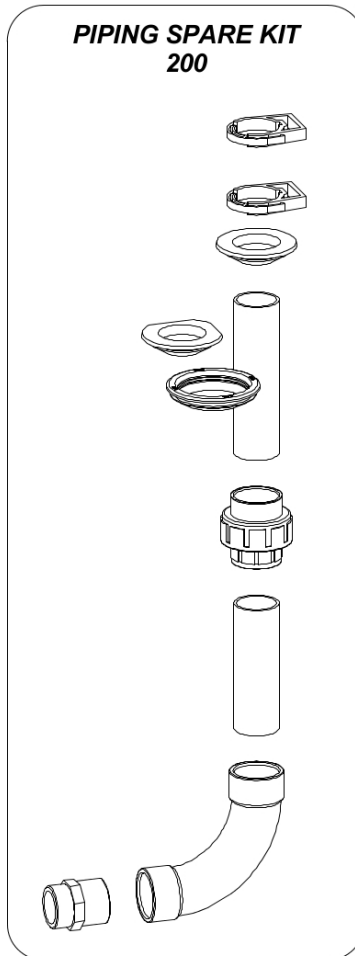
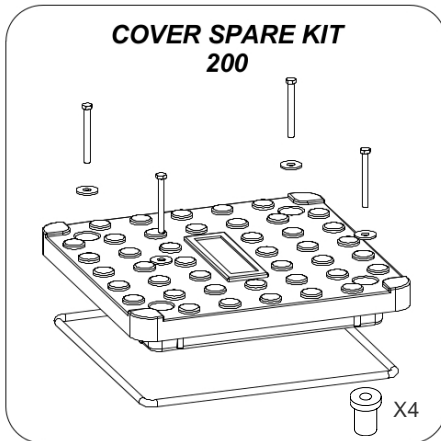
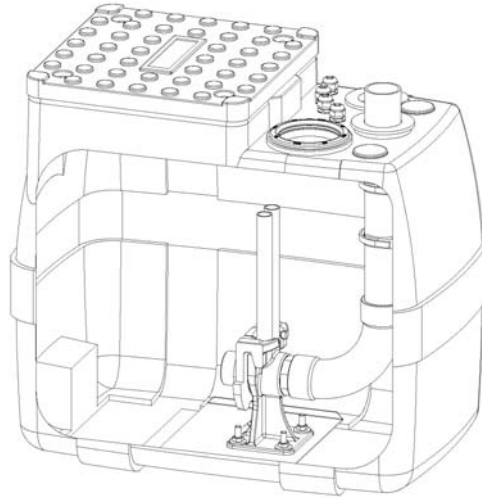
PIPING SPARE KIT
100



FIXING SPARE KIT
100



SPARE KIT 200



SPARE KIT 600

